

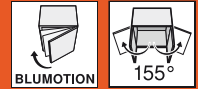


CLIP top 155°

Technical data sheet

CLIP top

155°-hinge



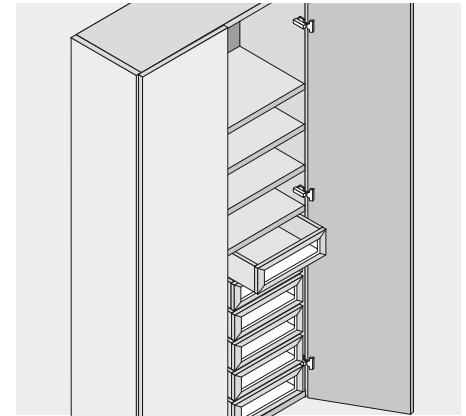
Product



Description

- Bisagra enteramente metálica, niquelada
- 155° opening angle
- **For cabinets with inner drawers or pull-outs**
- with convenient spiral-tech depth adjustment
- With or without closing mechanism (spring)
- Tool-free door to cabinet assembly and removal
- 3-dimensional adjustment (with relevant mounting plate)
- With **INSERTA** tool-free boss assembly

Application



Order specification

Overlay application 0-protrusion hinge			
	Boss INSERTA	Part No.	
Zinc boss with spring	71T7540N		
Zinc boss unsprung	70T7540NTL		

Dual application			
	Boss INSERTA	Part No.	
Zinc boss with spring	71T7640N		

Inset application			
Use hinges for dual application and a 9 mm spaced mounting plate			

Boss Screw-on		
Zinc boss with spring	71T7500N	
Zinc boss unsprung	70T7500NTL	

Boss Screw-on		
Zinc boss with spring	71T7600N	

Boss Knock-in			40	MZM.0040
Zinc boss with spring	71T7530N			

Boss EXPANDO		
Steel boss with spring	71T753EN	

BLUMOTION 973A		
	973A7000	

BLUMOTION 973A		
	973A7000	

Cover caps		
	Steel	Nickel plated
Plain	70.7503	
No cover cap is required when using BLUMOTION 973A.		

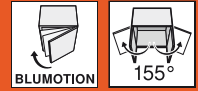
Cover caps		
	Steel	Nickel plated
Plain	70.7503	
No cover cap is required when using BLUMOTION 973A.		

Accessories

Chipboard screws for hinge boss fixing		
3.5 x 15 mm	609.1500	
3.5 x 17 mm	609.1700	

Opening angle stop 110°		
Nylon	70T7503N	

CLIP top 155°-hinge

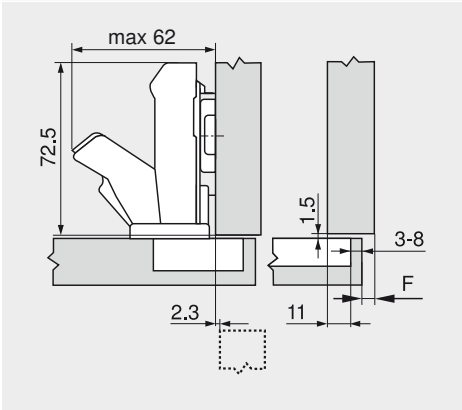
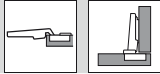


Planning

Hinge dimensions and gap calculation based on factory setting (mounting plate spacing = 0 mm or 9 mm)

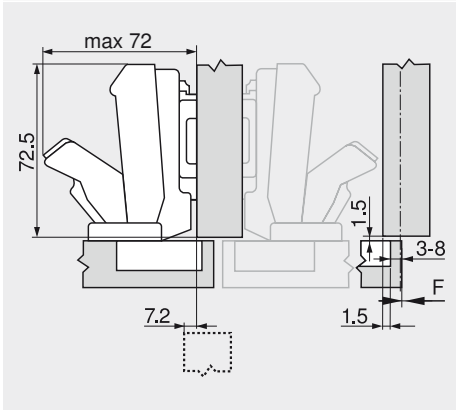
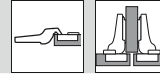
Hinge and door protrusion at 90° opening angle

Overlay application 0-protrusion hinge

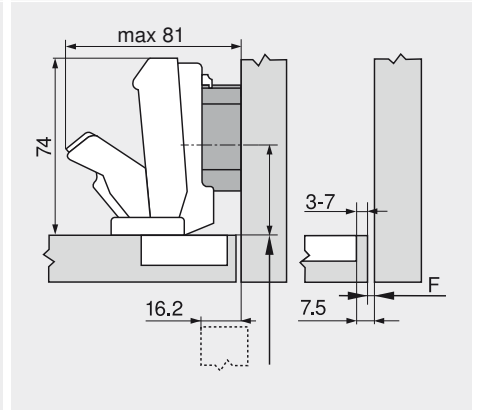
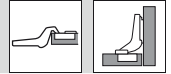


F Gap

Dual application



Inset application



Set mounting plate fixing position back by door thickness + 1.5 mm

Drilling distance

	Front overlay																		
	5	6	7	8	9	10	11	12	13	14	15	16	17	18	19				
0													3	4	5	6	7	8	
3							3	4	5	6	7	8							
6				3	4	5	6	7	8										
9	3	4	5	6	7	8													

Mounting plate

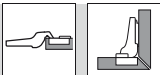
	Front overlay																		
	-4.5	-1.5	-0.5	0.5	1.5	2.5	3.5	4.5	5.5	6.5	7.5	8.5	9.5						
0										3	4	5	6	7	8				
3						3	4	5	6	7	8								
6		3	4	5	6	7	8												
9	3	6	7	8															

Mounting plate

	Front overlay																		
0																			
3																			
6																			
9																			

Mounting plate

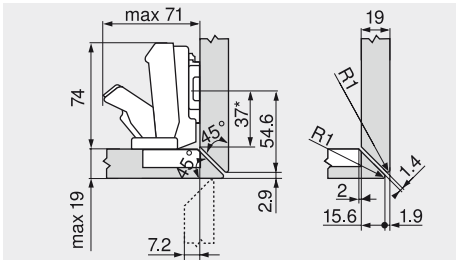
mitred application



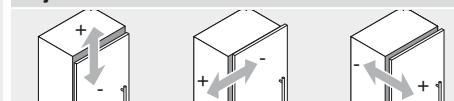
Mounting plate
Hinge for dual applications

0 mm

Surrounding mitred application up to 19 mm door thickness



Adjustments



max. ± 3.0 mm
see mounting plates

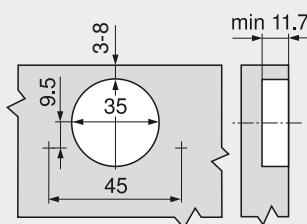
± 2.0 mm

+ 3.0 mm
- 2.0 mm

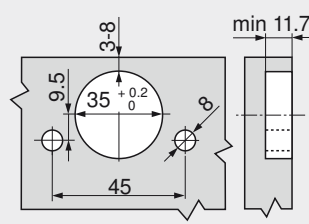
Minimum gap for doors with radiused edges (R = 1 mm) based on factory setting

For doors up to 24 mm thick no gap is required. We recommend a trial application for door thicknesses more than 22 mm and an application adjacent to the wall.

Screw-on



INSERTA / knock-in



Hinge boss dimensions

