

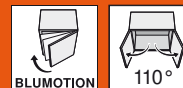


CLIP top BLUMOTION 110°

Technical data sheet

CLIP top BLUMOTION

110° hinge



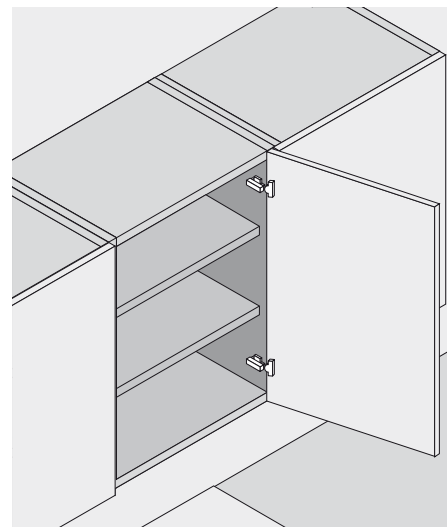
Product



Description

- All metal hinge, nickel plated
- 110° opening angle
- With **integrated BLUMOTION**
- With **BLUMOTION deactivation**
- with convenient spiral-tech depth adjustment
- Compatible with existing mounting plates
- With closing mechanism (spring)
- Tool-free door to cabinet assembly and removal
- 3-dimensional adjustment (with relevant mounting plate)
- With **INSERTA** tool-free boss assembly

Application



Order specification

Overlay application			
	Boss INSERTA	Part No.	
Steel boss with spring		71B3590	

Dual application			
	Boss INSERTA	Part No.	
Steel boss with spring		71B3690	

Inset application			
	Boss INSERTA	Part No.	
Steel boss with spring		71B3790	

	Boss Screw-on		
Steel boss with spring		71B3550	

	Boss Screw-on		
Steel boss with spring		71B3650	

	Boss Screw-on		
Steel boss with spring		71B3750	

	Boss Knock-in		MZM.0040
Steel boss with spring		71B3580	

	Boss Knock-in		MZM.0040
Steel boss with spring		71B3680	

	Boss Knock-in		MZM.0040
Steel boss with spring		71B3780	

	Boss EXPANDO		
Steel boss with spring		71B358E	

	Boss EXPANDO		
Steel boss with spring		71B368E	

	Boss EXPANDO		
Steel boss with spring		71B378E	

Cover caps			
	Steel	Nickel plated	
Plain		70.1503	
Stamped	Blum	70.1503.BP	

Cover caps			
	Steel	Nickel plated	
Plain		70.1663	
Screen print	Blum	70.1663.BL	

Cover caps			
	Steel	Nickel plated	
Plain		70.1663	
Screen print	Blum	70.1663.BL	

Accessories

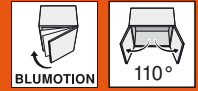
	Chipboard screws for hinge boss fixing		
3.5 x 15 mm		609.1500	
3.5 x 17 mm		609.1700	

	Boss cover cap for screw-on, knock-in and EXPANDO bosses		
Steel	Nickel plated	70T3504	

	Opening angle stop 86°		
Nylon		70T3553	

CLIP top BLUMOTION

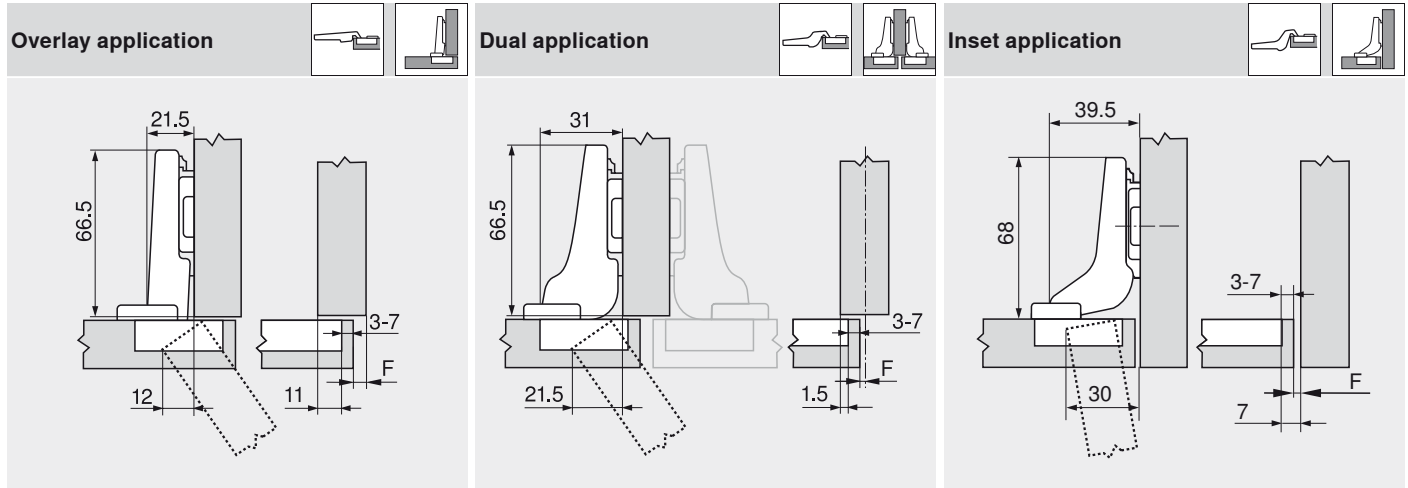
110° hinge



Planning

Hinge dimensions and gap calculation based on factory setting (mounting plate spacing = 0 mm)

Hinge and door protrusion at full opening angle



F Gap

Set mounting plate fixing position back by door thickness + 1.5 mm

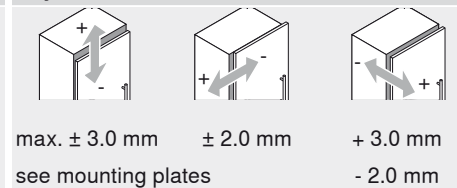
Drilling distance

	Front overlay																																																					
	5	6	7	8	9	10	11	12	13	14	15	16	17	18	Front overlay																																							
																			-4.5	-3.5	-2.5	-1.5	-0.5	0.5	1.5	2.5	3.5	4.5	5.5	6.5	7.5	8.5	Front overlay																					
0																																																						
3																																																						
6																																																						
9																																																						
↑	Mounting plate																		Mounting plate																		Mounting plate																	

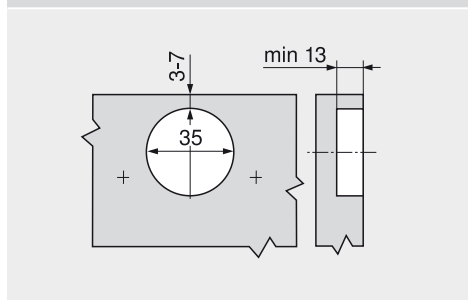
Minimum gap for doors with radiused edges (R = 1 mm) based on factory setting

Drilling distance	Door thickness												A trial application is recommended
	16	18	19	20	21	22	23	24	25	26	28	30	
3	0.5	0.8	1.0	1.2	1.5	1.8	2.2	2.7	3.5	4.3			
4	0.5	0.8	1.0	1.2	1.4	1.7	2.0	2.5	3.1	3.8			
5	0.5	0.8	0.9	1.2	1.4	1.7	2.0	2.4	2.9	3.4			
6	0.5	0.8	0.9	1.2	1.3	1.6	1.9	2.3	2.7	3.2			
7	0.5	0.8	0.9	1.1	1.3	1.6	1.9	2.2	2.6	3.0			
Additional at + 2 mm side adjustment													
	+0.2	+0.4	+0.4	+0.5	+0.5	+0.5	+0.5	+0.5	+0.5	+0.5			

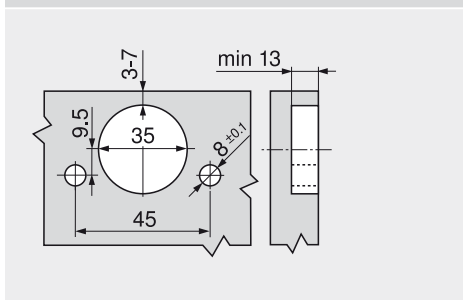
Adjustments



Screw-on



INSERTA / knock-in



Hinge boss dimensions

