



# AVENTOS

Bewegende Vielfalt für Klappen

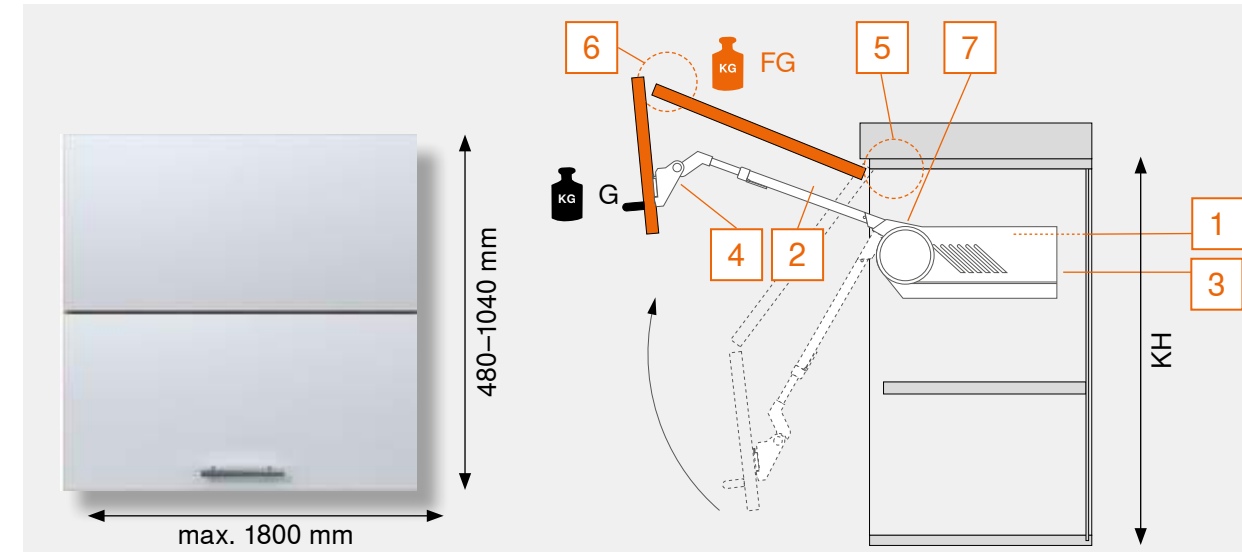
An inspiring range of lift systems

La diversità del movimento per le porte sollevabili

Versatilità in movimento per ante a ribalta



AVENTOS HF



Technical specifications table for AVENTOS HF, including lift height (KH) and load capacity (LF) data.

Leistungsformel: LF = KH [mm] × FG [kg] + 1 × G [kg]

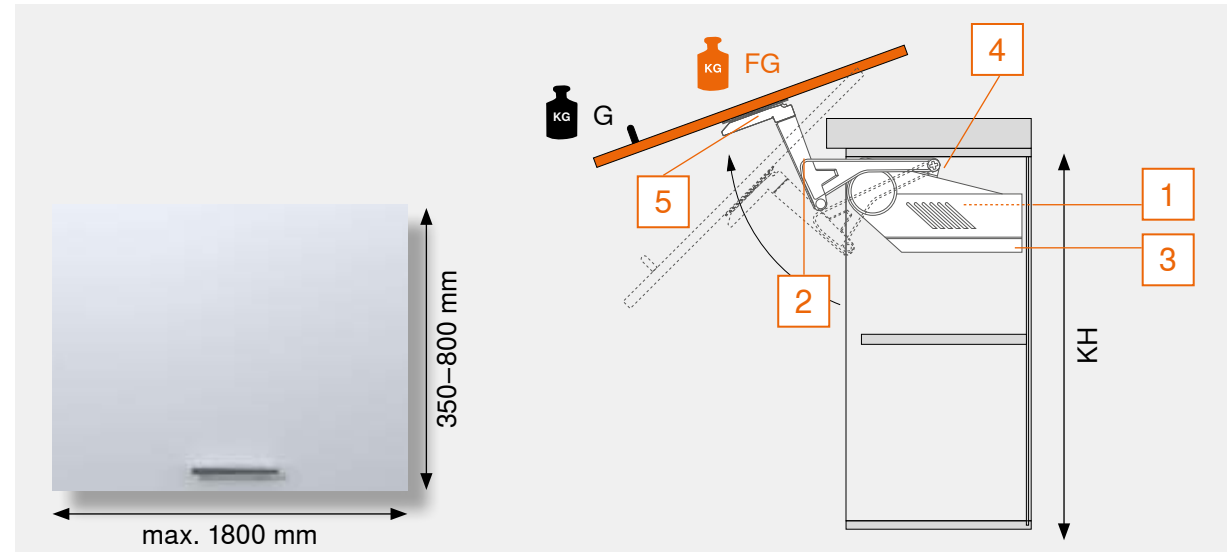
Additional lift mechanism notes and force descriptions.

Notes on application and force limits.

Notes on application and force limits (continued).



AVENTOS HS



Technical specifications table for AVENTOS HS, including lift height (KH) and load capacity (LF) data.

Leistungsformel: LF = KH [mm] × FG [kg] + 2 × G [kg]

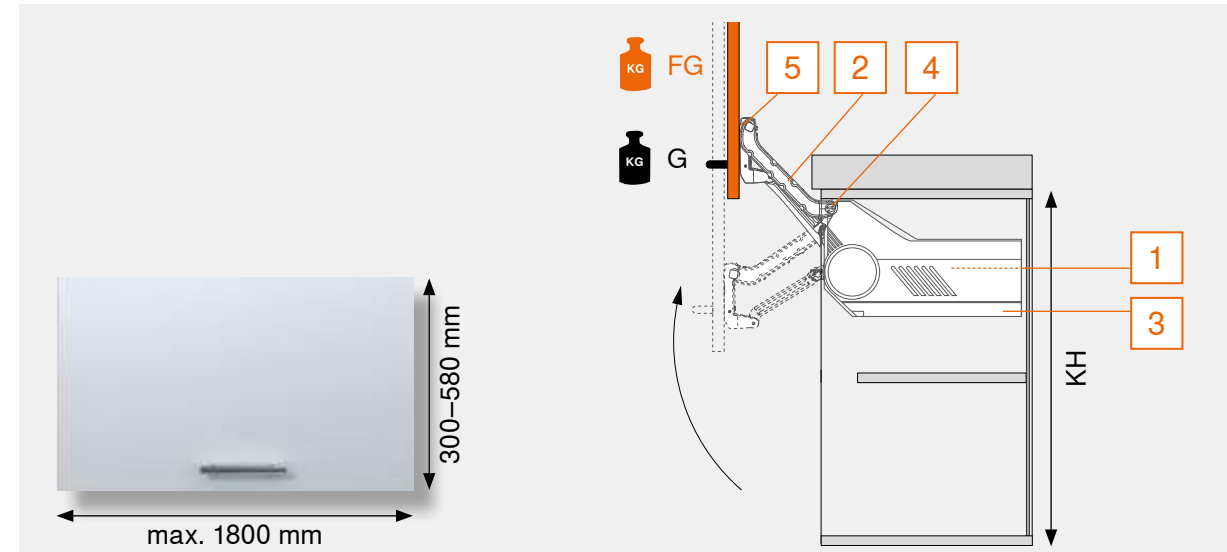
Additional lift mechanism notes and force descriptions.

Notes on application and force limits.

Notes on application and force limits (continued).



AVENTOS HL



Technical specifications table for AVENTOS HL, including lift height (KH) and load capacity (LF) data.

Leistungsformel: LF = KH [mm] × (FG [kg] + 1 × G [kg])

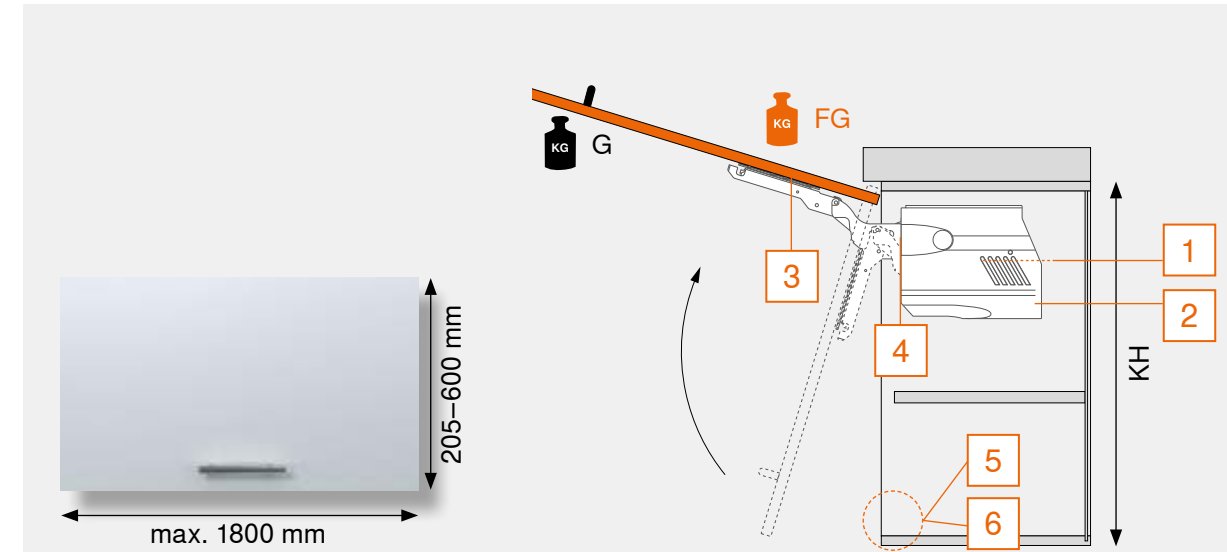
Additional lift mechanism notes and force descriptions.

Notes on application and force limits.

Notes on application and force limits (continued).



AVENTOS HK



Technical specifications table for AVENTOS HK, including lift height (KH) and load capacity (LF) data.

Leistungsformel: LF = KH [mm] × (FG [kg] + 2 × G [kg])

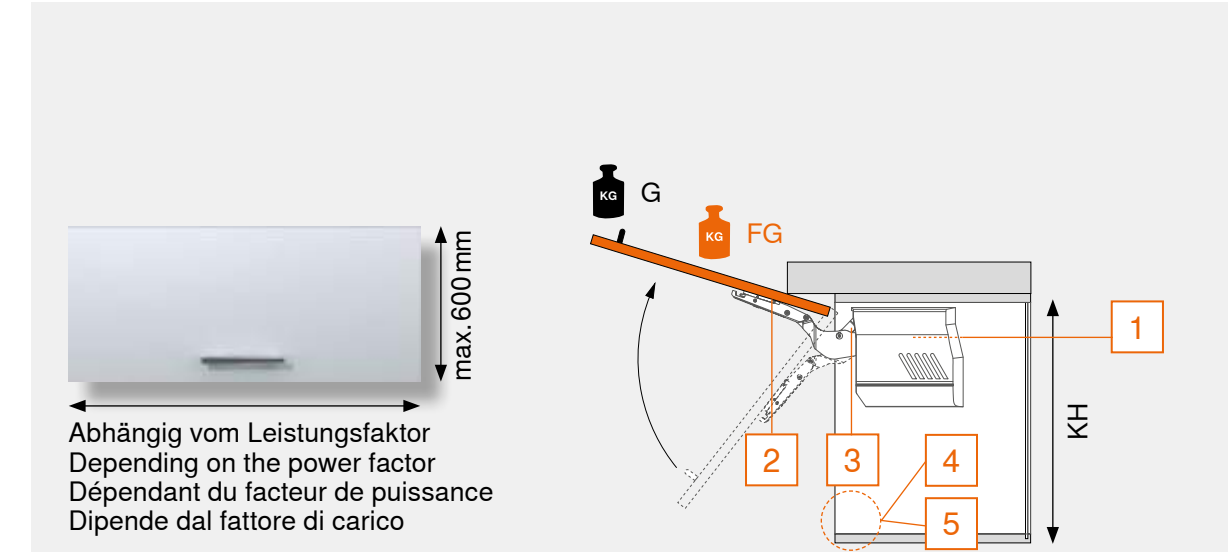
Additional lift mechanism notes and force descriptions.

Notes on application and force limits.

Notes on application and force limits (continued).



AVENTOS HK-S



Technical specifications table for AVENTOS HK-S, including lift height (KH) and load capacity (LF) data.

Leistungsformel: LF = KH [mm] × (FG [kg] + 2 × G [kg])

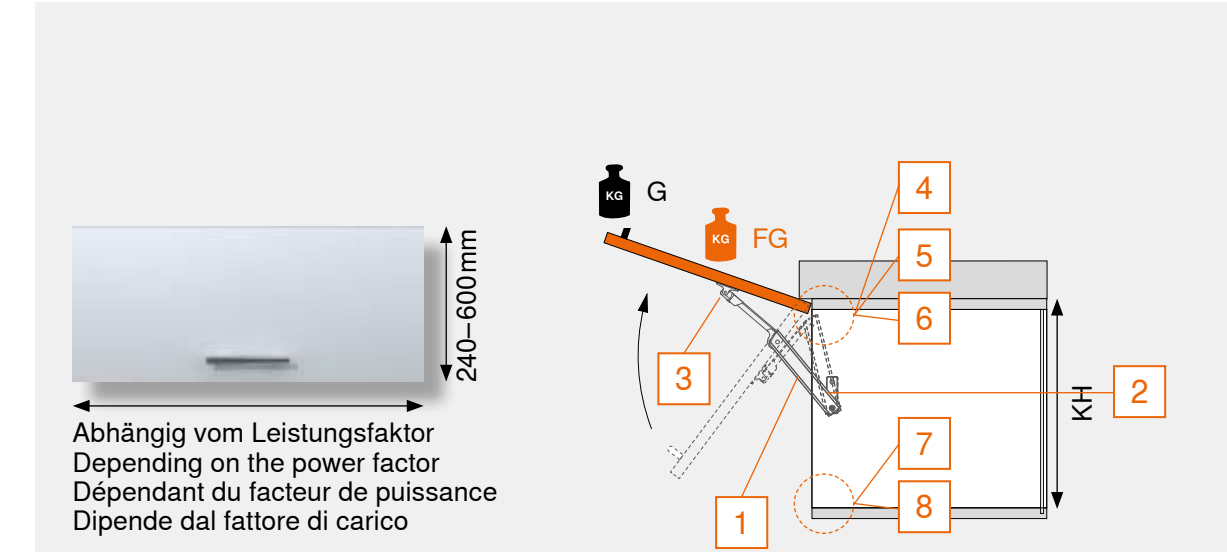
Additional lift mechanism notes and force descriptions.

Notes on application and force limits.

Notes on application and force limits (continued).



AVENTOS HK-XS



Technical specifications table for AVENTOS HK-XS, including lift height (KH) and load capacity (LF) data.

Leistungsformel: LF = KH [mm] × (FG [kg] + 2 × G [kg])

Additional lift mechanism notes and force descriptions.

Notes on application and force limits.

Notes on application and force limits (continued).

Color and finish options for AVENTOS lift systems.

Color and finish options for AVENTOS lift systems (continued).

Color and finish options for AVENTOS lift systems (continued).

Color and finish options for AVENTOS lift systems (continued).

QR code and assembly video link for AVENTOS HF.

QR code and assembly video link for AVENTOS HS.

QR code and assembly video link for AVENTOS HL.

QR code and assembly video link for AVENTOS HK.

QR code and assembly video link for AVENTOS HK-S.

QR code and assembly video link for AVENTOS HK-XS.

Accessories table for AVENTOS HF.

Accessories table for AVENTOS HS.

Accessories table for AVENTOS HL.

Accessories table for AVENTOS HK.

Accessories table for AVENTOS HK-S.

Accessories table for AVENTOS HK-XS.

Main technical specifications table with columns for FB (mm) and KH (mm) values.

Disclaimer and legal information regarding technical specifications and liability.